

DOL 40R SKOV

DOL 40R



40R
ATEX

DOL

DOL 40R
DOL 40R

SKOV

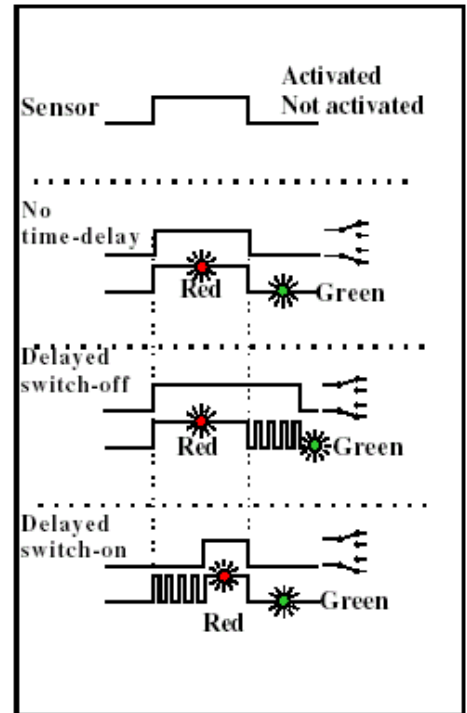
DOL 43R

DOL 45R, DOL 43R DOL 41R.

45R

, DOL

DOL 41R



		(Off delay)	(On delay)
DOL 41 R	•		
DOL 43R	•	•	
DOL 45R	•	•	•

DOL 40R

T

DOL 40R
10 A

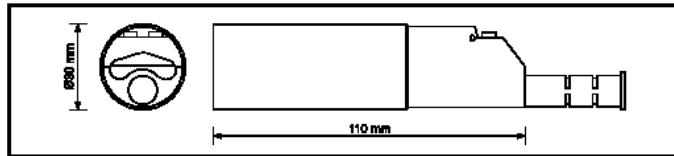
CE C-UL

DOL 40R
DOL 45R-T.

10-30 V ~/=
90 - 250 V ~

ATEX

1 20



1. : 10 - 30 V AC/DC 90 - 250 V AC
2. : 50 - 60 Hz
3. 2VA
4. : 250 V AC
5. : 5 A cos = 1
2 A cos = 0.8
0.35 A cos = 0.4
6. :
7. : 0 15 4kVAC
8. : 0 240
30
9. : IP67
10. : -20 °C +70 °C
11. : -30 °C +85 °C
12. : 110
13. : 30
14. : 5- 0.75 ², 1500 , 9.1
15. : 290

		1 240
100622	DOL 41R ATEX =/~ 10-36V	
100621	DOL 41R ATEX ~ 90 - ~250V	
100671	DOL 41R ~ 90 - ~250V	
100672	DOL 41R =/~ 10-36V	
100772	DOL 41R-G =/~ 10-36V,	
100771	DOL 41R-G ~ 90 - ~250V,	
100612	DOL 43R ATEX =/~ 10-36V	
100611	DOL 43R ATEX ~ 90 - ~250V	
100661	DOL 43R ~ 90 - ~250V	
100662	DOL 43R =/~ 10-36V	
100762	DOL 43R-G ~ 90 - ~250V,	
100761	DOL 43R-G =/~ 10-36V,	
100602	DOL 45R ATEX =/~ 10-36V	/ .
100601	DOL 45R ATEX ~ 90 - ~250V	/ .
100651	DOL 45R ~ 90 - ~250V	/ .
100652	DOL 45R =/~ 10-36V	/ .
100752	DOL 45R-G ~ 90 - ~250V,	/ .
100751	DOL 45R-G =/~ 10-36V,	/ .
100681	DOL 45R- ~ 90 - ~250V	/ .