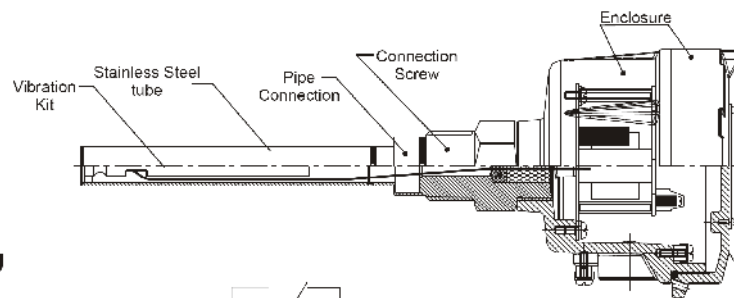


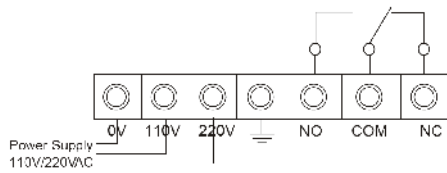
SC

()

()



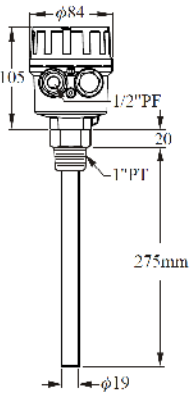
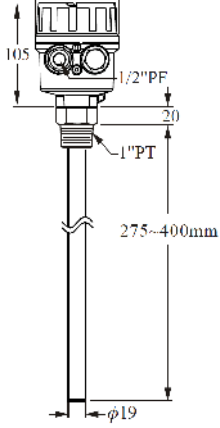
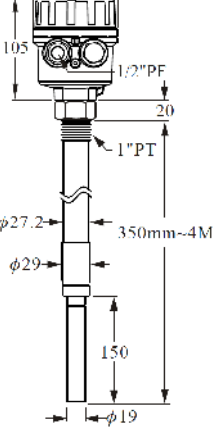
Wiring



Stainless steel tube –
 Pipe connection-
 Enclosure –

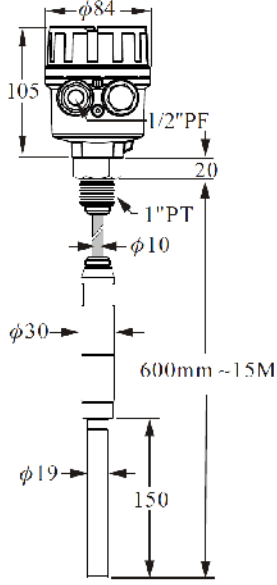
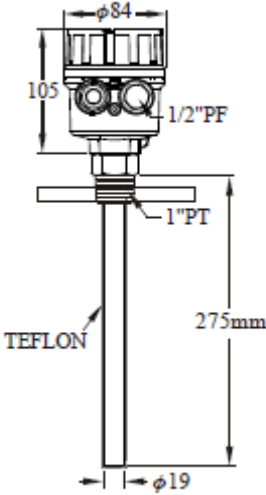
; Vibration kit -
 connection screw –

()

<p>()</p>			
	SC3100	SC3110	SC3120
	/IP65		
	SUS 304 / 316		
	1"		
	1/2"NPT 2		
	20Nm		
	~10 Bar		
	20~250 50/60Hz /		
	-40° ~60°		
	-40° ~80°		
	SPDT, 5A/250VAC/ PNP/NPN (MOSFET) 400 / 60 . / .		
	0.32 / 3		
	0,6-1 . / operate, 2~5 secretary /		
	395~405Hz		
	/		
	/ /		

(

)

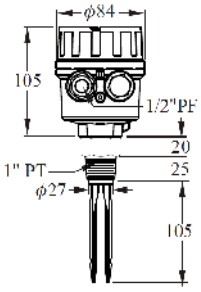
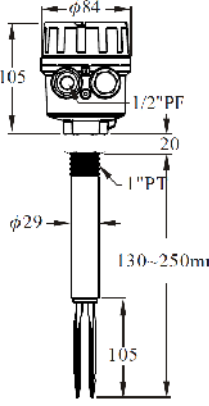
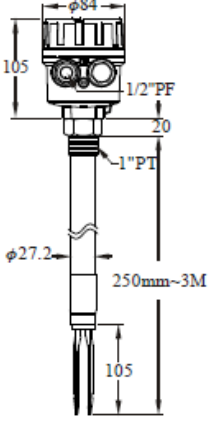
<p>()</p>		
	SC3300	SC3500
	/IP65	
	SUS 304 / 316	SUS 304 / 316
	1"	1" ()
	1/2"NPT 2	
	20Nm	
	~10 Bar	
	20~250 50/60Hz /	
	15 ()	
	-40° ~60°	
	-40° ~80°	
	SPDT, 5A/250VAC/ PNP/NPN (MOSFET) 400 / 60 /	
	0.32 / 3	
	0,6-1 / operate, 2~5 secretary /	
	395 ~ 405Hz	
	/	
	/ /	

()			
	SC2100 MV 10/11	SC2110 MV 20	SC2120 MV 21
	/IP65		
	SUS 304 / 316		
	1"		
	1/2"NPT 2		
	20Nm		
	~10 Bar		
	20~250 50/60Hz /		
	-40° ~60°		
	-40° ~80°		
	SPDT, 5A/250VAC/ PNP/NPN (MOSFET) 400 / 60 . / .		
	0.32 / 3		
	0,6-1 . / operate, 2~5 secretary /		
	395~405Hz		
	/		
	/ /		

()		
	SC2300	SC2500
	/IP65	
	SUS 304 / 316	SUS 304 / 316
	1"	1" ()
	1/2"NPT 2	
	20Nm	
	~10 Bar	
	20~250 50/60Hz /	
	15 ()	
	-40° ~60°	
	-40° ~80°	
	SPDT, 5A/250VAC/ PNP/NPN (MOSFET) 400 /	
	60 . / .	
	0.32 / 3	
	0,6-1 . / operate, 2~5 secretary /	
	395 ~ 405Hz	
	/	
	/ /	

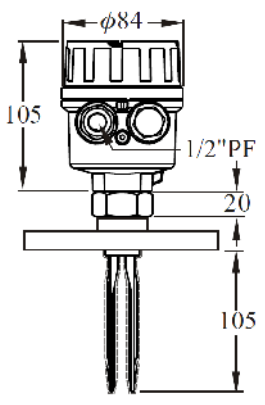
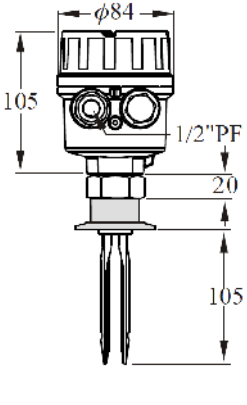
(

)

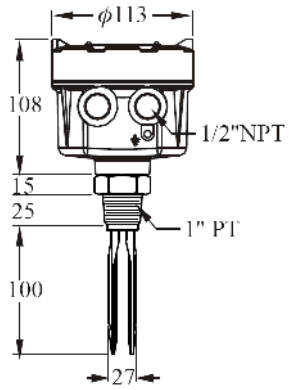
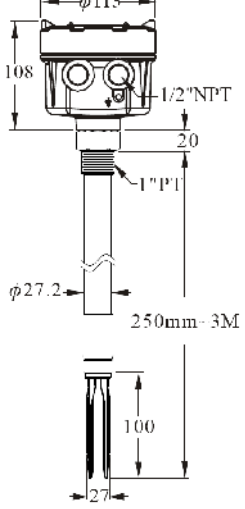
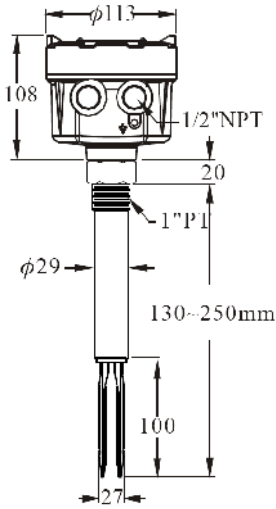
<p>()</p>			
	SC3400	SC3410	SC3420
	/IP65		
	SUS 304 / 316		
	1"		
	½"PF * 2		
	20Nm		
	~40 Bar		
	20~250		
	10 V		
	-40° ~60°		
	-40° ~130°		
	SPDT, 5A/250 PNP/NPN 400 mA		
	- 0,07 / 3, 0,7 / 3		
	0,6 / operate, 1~3 secretary /		
	350~370Hz		
	/		
	/		

(

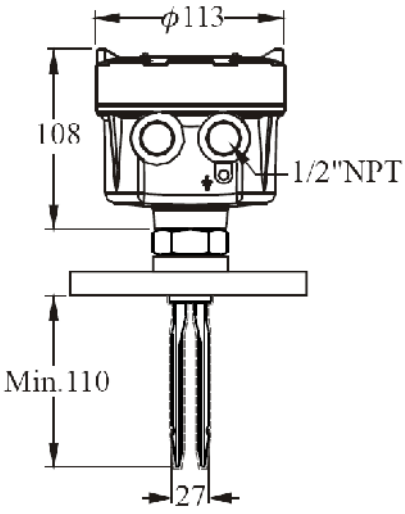
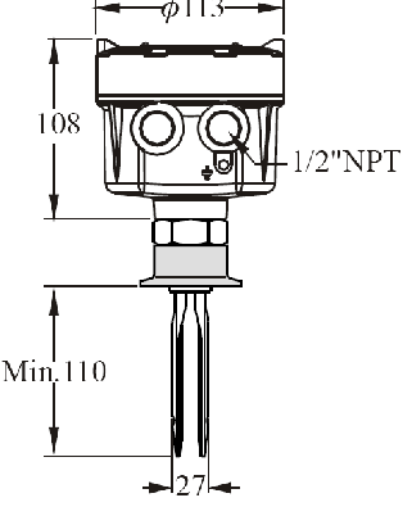
)

<p>()</p>		
	SC 3440	SC 3450
	/IP65	
	SUS 304 / 316	SUS 304 / 316
	1" ()	2"
	1/2"PF * 2	
	20Nm	
	~ 10 Bar	
	20~250 . / .	
	10 V	
	-40° ~60°	
	-40° ~130°	
	SPDT, 2A/250 PNP/NPN 400mA / .	
	- 0,07 / 3, 0,7 / 3	
	0,6 . / operate, 1~3 secretary /	
	350~370Hz	
	/	
	/	

()

<p>()</p>			
	<p>SC1400 MV40</p>	<p>SC1410 MV41</p>	<p>SC1420 MV42</p>
	/IP65		
	SUS 304 / 316		
	1"		
	1/2"NPT 2		
	20Nm		
	~ 40 Bar		
	20~250 . , 20~60 ./		
	2,2 ()		
	-40° ~70°		
	-40° ~130°		
	SPDT, 2A/250 . .		
	- 0,07 / 3, 0,7 / 3		
	0,6 ./ operate, 1~3 secretary /		
	350~370Hz		
	/		
	/		

()



<p>()</p>		
	SC1540	SC1600
	MV54	MV60
	/IP65	
	SUS 304 / 316	SUS 304 / 316
	1" (.)	2"
	1/2"NPT 2	
	20Nm	
	~ 40 Bar	
	20~250 . , 20~60 .	
	10 V	
	-40° ~70°	
	-40° ~130°	
	SPDT, 2A/250 . .	
	- 0.07 / 3, 0,7 / 3	
	0,6 . / operate, 1~3 secretary /	
	350~370Hz	
	/	
	/	

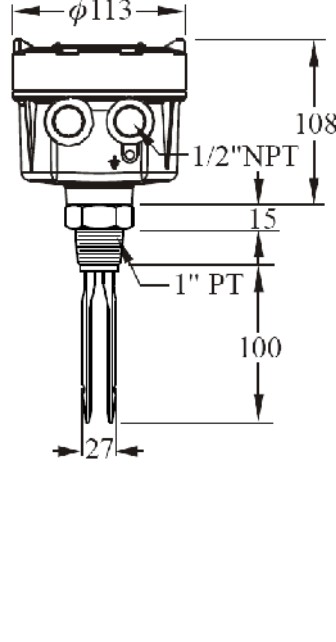
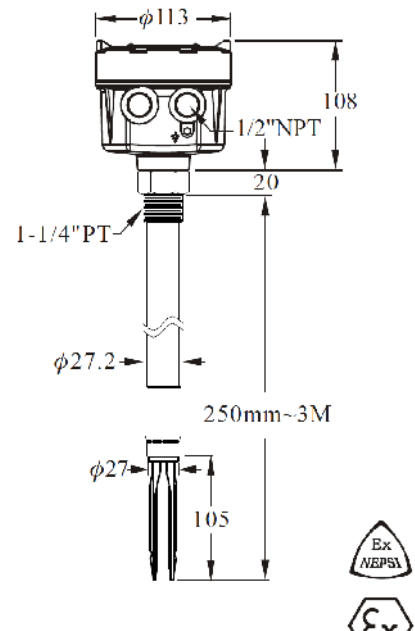
()

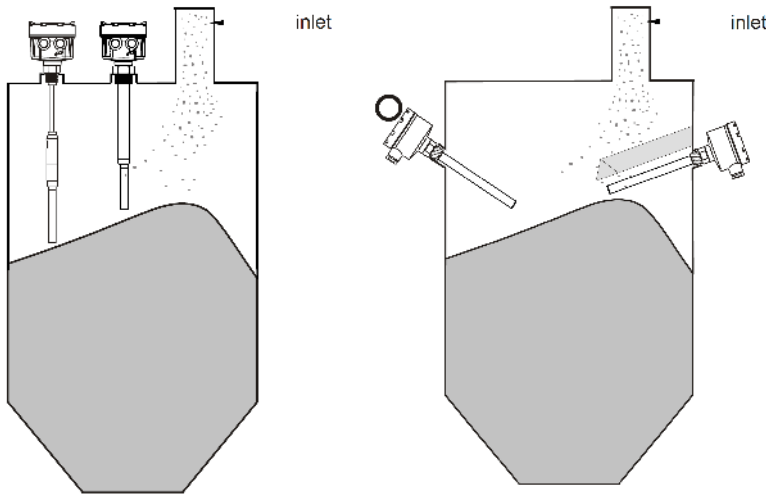
NEPSI PROOF NO. GYJ03350 Ex d IIB T3~T6
 PTB PROOF NO. 05 ATEX 1026 Ex II 2G EEx d IIB T3~T6
 Ex II 2D IP65 T3~T6

()			
	SC1700	SC1701	SC1710
	MV70	MV70	MV71
	/EEx d IIB T3~T6		
	SUS 304 / 316		
	1" PF, 1" - 6" JIS/DIN/ANSI		
	1/2"NPT 2		
	20Nm		
	~ 10 Bar		
	110/220 . , 10%, 50/60Hz		
	2 ()		
	-10° ~60°		
	-10° ~80°		
	SPDT, 5A/250 . .		
	0,32 / 3		
	0,6 . / operate, 2~5 secretary /		
	360~370Hz		
	/		
	/ /		

()

NEPSI PROOF NO. GYJ03350 Ex d IIB T3~T6
 PTB PROOF NO. 05 ATEX 1026  II 2G EEx d IIB T3~T6
 II 2D IP65 T3~T6

<p>()</p>		
	SC1740 MV74	SC1741 MV74
	/ E d IIB T3~T6	
	SUS 304 / 316	
	: 1"	: 1-1/4"
	1/2"NPT 2	
	20Nm	
	~ 40 Bar	
	20~250 . / .	
	10 V	
	-40° ~70°	
	-40° ~130°	
	, SPDT, 3A/250 . .	
	- 0.07 / 3, 0.7 / 3	
	0,6 . / operate, 1~3 secretary /	
	350~370Hz	
	/	
	/	

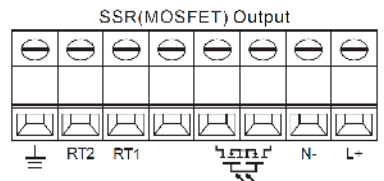
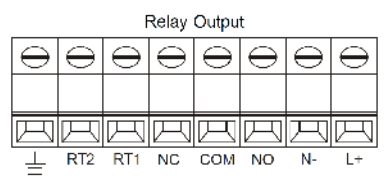
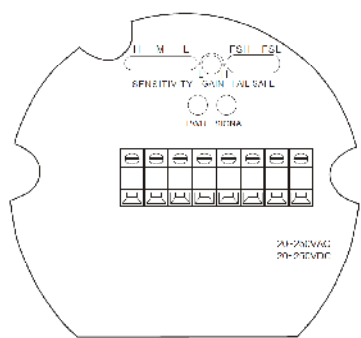


	FSL		FSH	
Level				
Contact Form	NC COM NC	NC COM NC	NO COM NC	NO COM NC
Indication	○	☀	☀	○
Status	Fail	Normal	Normal	Fail

TERMINAL / SENSITIVITY ADJUSTMENT (EURO TYPE)



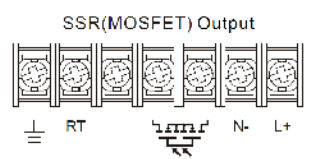
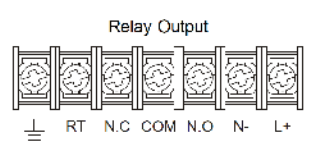
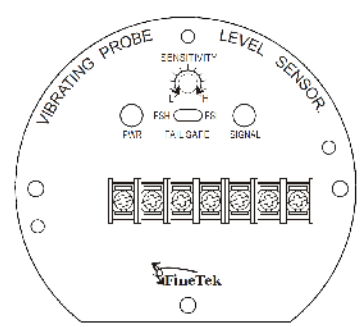
SC2100X, SC2110X, SC2200X, SC2210X, SC2300X, SC2500X, SC1700X, SC1701X, SC1710X



TERMINAL / SENSITIVITY ADJUSTMENT (UL TYPE)



SC2100X, SC2110X, SC2200X, SC2210X, SC2300X, SC2500X, SC1700X, SC1701X, SC1710X



SC () ()

ORDER NO. _____

- 3100: Multi-Function Vibrating Probe Standard Type
- 3110: Multi-Function Vibrating Probe Extension Type
- 3120: Multi-Function Vibrating Probe Ultra Extension Type
- 3300: Multi-Function Vibrating Probe Cable Extension Type
- 3500: Multi-Function Vibrating Probe Corrosion Proof Type
- 2100: Vibrating Probe Standard Type
- 2110: Vibrating Probe Extension Type
- 2120: Vibrating Probe Ultra Extension Type
- 2300: Vibrating Probe Cable Extension Type
- 2500: Vibrating Probe Corrosion Proof Type
- 1700: Explosion Proof Vibrating Probe Standard Type
- 1701: Explosion Proof Vibrating Probe Extension Type
- 1710: Explosion Proof Vibrating Probe Ultra Extension Type

POWER & OUTPUT MODULE _____

- 20~250Vac/ Vdc, 50/60Hz
- A: Relay O/P (Barrier terminal Block)(limited series of 17 and 21 series)
- B: Transistor PNP/NPN (Barrier terminal Block)(limited series of 17 and 21 series)
- R: Relay O/P (Green terminal)-EuroType
- N: Transistor PNP/NPN-EuroType

MATERIAL _____

- 0: SUS304 6: SUS316 P: PTFE

CONNECTION _____

Dimension	Specification
D---1"(25A)	M---5kg/cm ² Y---PN 25
3---1-1/4"(32A)	N---10kg/cm ² Z---PN 40
E---1-1/2"(40A)	O---150 Lbs S---others
F---2"(50A)	P---300 Lbs 9---Sanitary
G---2-1/2"(65A)	Q---PT
H---3"(80A)	R---PF(G)
I---4"(100A)	T---BSP
J---5"(125A)	U---NPT
K---6"(150A)	W---PN 10
S---others	X---PN 16

LENGTH (L) (UNIT: cm) _____

- 0500: below 500mm
- 1000: 501~1000mm
- 1500: 1001~1500mm

- ※ 500mm per Unit
- ※ Use English letter as first code for probe length over 10m.
A150 represents 15m, A200 represents 20m

- 1.
- 2.
- 3.
- 4.

SC () ()

ORDER NO.

- 3400: Multi-Function Tuning Fork Standard Type
- 3410: Multi-Function Tuning Fork Extension Type
- 3420: Multi-Function Tuning Fork Ultra Extension Type
- 3440: Multi-Function Tuning Fork Corrosion Proof Type
- 3450: Multi-Function Tuning Fork Sanitary Type
- 1400: Tuning Fork Standard Type
- 1410: Tuning Fork Extension Type
- 1420: Tuning Fork Ultra Extension Type
- 1540: Tuning Fork Corrosion Proof Type
- 1600: Tuning Fork Sanitary Type
- 1740: Explosion Proof Tuning Fork Standard Type
- 1741: Explosion Proof Tuning Fork Ultra Extension Type

POWER & OUTPUT MODULE

- 20~250Vac/Vdc, 50/60Hz R: Relay O/P-EuroType
- N: SSR(MOSFET) EuroType
- Q: Relay O/P x 2 -EuroType
- M: SSR(MOSFET) x 2 -EuroType

※ Multion Funtion version can choose R、N only

MATERIAL (Wetted Part)

- 0: SUS304 6: SUS316 L: SUS316L

CONNECTION

Dimension	Specification
D---1"(25A)	M---5kg/cm ² Y---PN 25
3---1-1/4"(32A)	N---10kg/cm ² Z---PN 40
E---1-1/2"(40A)	O---150 Lbs S---others
F---2"(50A)	P---300 Lbs 9---Sanitary
G---2-1/2"(65A)	Q---PT
H---3"(80A)	R---PF(G)
I---4"(100A)	T---BSP
J---5"(125A)	U---NPT
K---6"(150A)	W---PN 10
S---others	X---PN 16

LENGTH (L) (UNIT: mm)

- 0500: below 500mm
- 1000: 501~1000mm
- 1500: 1001~1500mm
- :
- :

- ※ 500mm per Unit
- ※ Use English letter as first code for probe length over 10m.
A150 represents 15m, A200 represents 20m

- 1.
- 2.
- 3.
- 4.