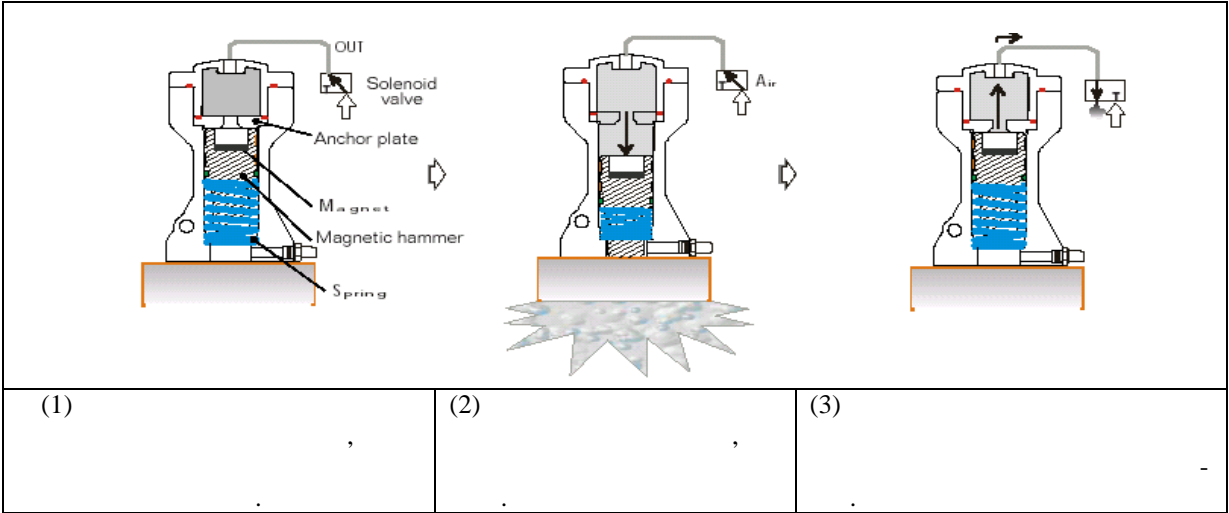


BAH

- _____
-
-
-
-

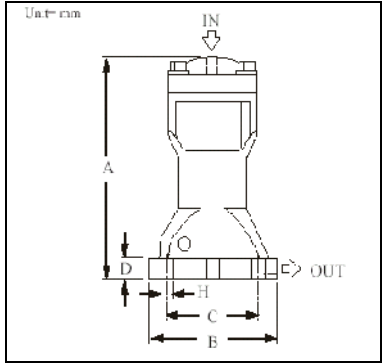
- _____

: 100
: 60-75



- Solenoid valve –
- Anchor plate –
- Magnet –
- Magnetic hammer –
- Spring –
- Air –

IN –
OUT –



		Ø B	Ø C	D	Ø H		
2030 (BAH-30)	138	80	60	12	9	1/4"	1/8"
2040 (BAH-40)	166	100	75	16	11	1/4"	1/8"
2060 (BAH-60)	208	140	105	16	15	1/4"	1/8"
2080 (BAH-80)	269	172	140	24	19	3/8"	1/4"

2030 (BAH-30)	3 ~ 6 / 2	1.0 . /	0.028 ℓ/e.t.	() 1.1
---------------	-----------	---------	--------------	---------

2040 (BAH-40)	3 ~ 6 / ²	2.8 . /	0.082 ℓ/e.t.	1.8
2060 (BAH-60)	4 ~ 7 / ²	7.4 . /	0.228 ℓ/e.t.	4.0
2080 (BAH-80)	4 ~ 7 / ²	12.5 . /	0.455 ℓ/e.t.	8.4