


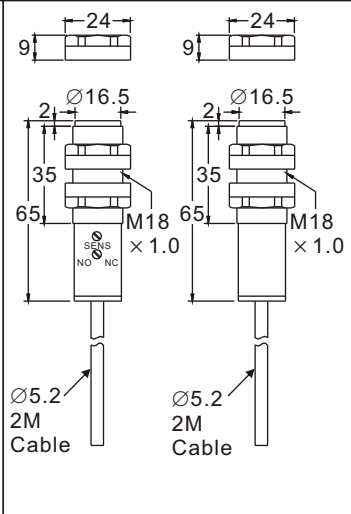
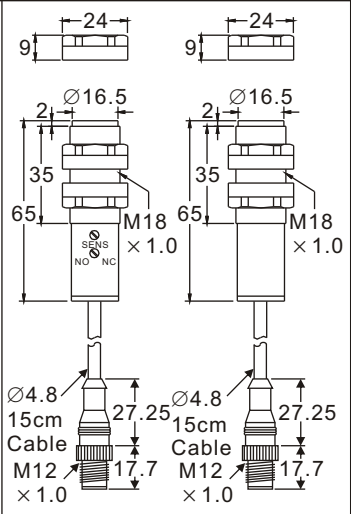
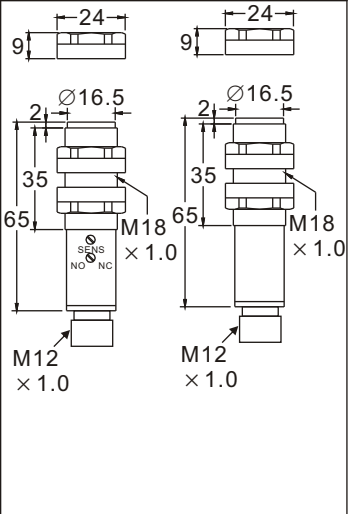
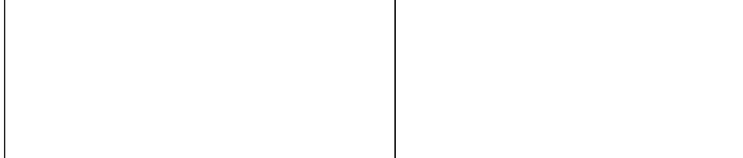
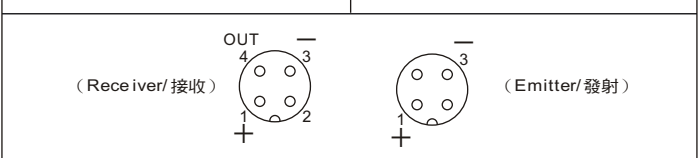


◆ **Shape/外觀:**



◆ **Specifications**
/規格表:

Catalog Listing / 型號	RMF-DU10 □ RMF-DU40 □	RMF-DU10 □ K RMF-DU40 □ K	RMF-DU10 □ K1 RMF-DU40 □ K1
Description / 檢出方式	Diffuse reflection / 擴散反射式		
Sensing distance / 檢出距離	10 cm 40 cm		
Output method / 輸出模式	[N]: NPN.NO/NC / [P]: PNP.NO/NC		
Response time / 反應時間	1.5 ms Max.		
Light emitter / 發光源	940 nm.		
Operating voltage / 工作電壓	DC: 12 ~ 24 VDC		
Current consumption / 消耗電流	25 mA Max.		
Output current / 輸出電流	30 VDC 200 mA max		
Insulation resistance / 隔離阻抗	20M Ω Min. 500VDC		
Dielectric strength / 絕緣耐壓	1000VAC for 1minute		
Ambient humidity / 工作溼度範圍	35 % ~ + 85% RH		
Weight / 重量	Approx 80g	Approx 30g	Approx 20g
Operating temperature/工作溫度範圍	- 20 °C ~ + 60 °C		
Housing material / 外觀材質	ABS		
Wiring method / 出線方式	Pre-wired Ø5.2 × 2 M / 3-wire	M12 pigtailed type / M12 接頭15cm 電線式	M12 plug-in connector type / M12 接頭
Protection degree / 防水等級	IP66	IP66	IP66
◆ Dimensions /尺寸圖:	<p>Dimensions for Pre-wired sensor: Total length: 65 mm Sensing distance: 35 mm Body diameter: Ø16.5 mm Cable diameter: Ø5.2 mm Cable length: 2 M Mounting hole: M18 × 1.0</p>	<p>Dimensions for M12 pigtailed sensor: Total length: 65 mm Sensing distance: 35 mm Body diameter: Ø16.5 mm Cable diameter: Ø5.2 mm Cable length: 15 cm Mounting hole: M18 × 1.0 Pigtail length: 27.25 mm Pigtail diameter: Ø5.2 mm Pigtail thread: M12 × 1.0</p>	<p>Dimensions for M12 plug-in sensor: Total length: 65 mm Sensing distance: 35 mm Body diameter: Ø16.5 mm Mounting hole: M18 × 1.0 Plug-in connector diameter: Ø5.2 mm Plug-in connector thread: M12 × 1.0</p>
	<p>Wiring diagram: Terminal 1: + Terminal 2: - Terminal 3: OUT Terminal 4: -</p>		




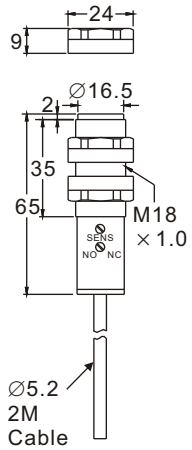
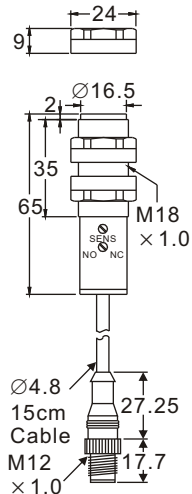
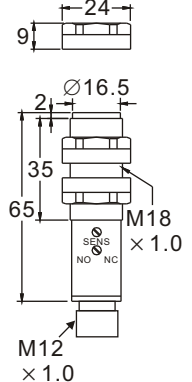
<p>◆ Shape/外觀:</p> <p>◆ Specifications /規格表:</p>			
<p>Catalog Listing / 型號</p>	<p>RMF-10 □ RMF-20 □</p>	<p>RMF-10 □ K RMF-20 □ K</p>	<p>RMF-10 □ K1 RMF-20 □ K1</p>
<p>Description / 檢出方式</p>	<p>Through beam / 對照式</p>		
<p>Sensing distance / 檢出距離</p>	<p>10 M 20 M</p>		
<p>Output method / 輸出模式</p>	<p>□N: NPN.NO/NC / □P: PNP.NO/NC</p>		
<p>Response time / 反應時間</p>	<p>1.5 ms Max.</p>		
<p>Light emitter / 發光源</p>	<p>940 nm.</p>		
<p>Operating voltage / 工作電壓</p>	<p>DC: 12 ~ 24 VDC</p>		
<p>Current consumption / 消耗電流</p>	<p>45 mA Max.</p>		
<p>Output current / 輸出電流</p>	<p>30 VDC 200 mA max</p>		
<p>Insulation resistance / 隔離阻抗</p>	<p>20M Ω Min. 500VDC</p>		
<p>Dielectric strength / 絕緣耐壓</p>	<p>1000VAC for 1minute</p>		
<p>Ambient humidity / 工作溼度範圍</p>	<p>35 % ~ + 85% RH</p>		
<p>Weight / 重量</p>	<p>Approx 160g</p>	<p>Approx 60g</p>	<p>Approx 40g</p>
<p>Operating temperature/工作溫度範圍</p>	<p>- 25 °C ~ + 55 °C</p>		
<p>Housing material / 外觀材質</p>	<p>ABS</p>		
<p>Wiring method / 出線方式</p>	<p>Pre-wired / 3-wire Ø5.2 × 2 M</p>	<p>M12 pigtailed type / M12 接頭15cm 電線式</p>	<p>M12 plug-in connector type / M12 接頭</p>
<p>Protection degree / 防水等級</p>	<p>IP66</p>	<p>IP66</p>	<p>IP66</p>
<p>◆ Dimensions /尺寸圖:</p>			
 <p>(Receiver/接收)</p>		 <p>(Emitter/發射)</p>	

◆ **Shape/外觀:**



◆ **Specifications /規格表:**

Catalog Listing / 型號	RMF-CR2 □	RMF-CR2 □ K	RMF-CR2 □ K1
Description / 檢出方式	Retro reflection / 鏡片反射式		
Sensing distance / 檢出距離	2M		
Output method / 輸出模式	[N]: NPN.NO/NC / [P]: PNP.NO/NC		
Response time / 反應時間	1.5 ms Max.		
Light emitter / 發光源	850nm		
Operating voltage / 工作電壓	DC: 12 ~ 24 VDC		
Current consumption / 消耗電流	25 mA Max.		
Output current / 輸出電流	30VDC 200mA Max.		
Insulation resistance / 隔離阻抗	20M Ω Min. 500VDC		
Dielectric strength / 絕緣耐壓	1000VAC for 1minute		
Ambient humidity / 工作溼度範圍	35 % ~ + 85% RH		
Weight / 重量	Approx 80g		
Operating temperature/工作溫度範圍	- 20 °C ~ + 60 °C		
Housing material / 外觀材質	ABS		
Wiring method / 出線方式	Per-wired Ø5.2 × 2 M / 3-wire	M12 pigtailed type / M12 接頭15cm 電線式	M12 plug-in connector type / M12 接頭
Protection degree / 防水等級	IP66	IP66	IP66
◆ Dimensions /尺寸圖:			

<p>◆ Shape/外觀:</p> <p>◆ Specifications /規格表:</p>			
<p>Catalog Listing / 型號</p>	<p>① RMF-R2 □ ② RMF-PR1 □</p>	<p>① RMF-R2 □ K ② RMF-PR1 □ K</p>	<p>① RMF-R2 □ K1 ② RMF-PR1 □ K1</p>
<p>Description / 檢出方式</p>	<p>① Retro refletion / 鏡片反射式 ② Polarized retro reflection / 偏光鏡片反射式</p>		
<p>Sensing distance / 檢出距離</p>	<p>① 2M</p>		<p>② 1M</p>
<p>Output method / 輸出模式</p>	<p>[N]: NPN.NO/NC / [P]: PNP.NO/NC</p>		
<p>Response time / 反應時間</p>	<p>1.5 ms Max.</p>		
<p>Light emitter / 發光源</p>	<p>① 850nm</p>		<p>② 640nm</p>
<p>Operating voltage / 工作電壓</p>	<p>DC: 12 ~ 24 VDC</p>		
<p>Current consumption / 消耗電流</p>	<p>25 mA Max.</p>		
<p>Output current / 輸出電流</p>	<p>30VDC 200mA Max.</p>		
<p>Insulation resistance / 隔離阻抗</p>	<p>20M Ω Min. 500VDC</p>		
<p>Dielectric strength / 絕緣耐壓</p>	<p>1000VAC for 1minute</p>		
<p>Ambient humidity / 工作溼度範圍</p>	<p>35 % ~ + 85% RH</p>		
<p>Weight / 重量</p>	<p>Approx 105g</p>		
<p>Operating temperature/工作溫度範圍</p>	<p>- 20 °C ~ + 60 °C</p>		
<p>Housing material / 外觀材質</p>	<p>ABS</p>		
<p>Wiring method / 出線方式</p>	<p>Per-wired Ø5.2 × 2 M / 3-wire</p>	<p>M12 pigtailed type / M12 接頭15cm 電線式</p>	<p>M12 plug-in connector type / M12 接頭</p>
<p>Protection degree / 防水等級</p>	<p>IP66</p>	<p>IP66</p>	<p>IP66</p>
<p>◆ Dimensions /尺寸圖:</p>	 <p>Ø5.2 2M Cable</p>	 <p>Ø4.8 15cm Cable M12 × 1.0</p>	 <p>M12 × 1.0</p> 